



PayCert
48 rue Montmartre
75002 Paris
France

Paris, 29 May 2024

SELP SAS
98 Boulevard Maiesherbes
75017 Paris - FRANCE

CEN TS 16794 Compliance Certificate - PICC

A Smart Ticketing Alliance certification program

Certificate Number: CNAPC/PIC-00052
Product/System name: SELP MIFARE DESFIRE EV3 (commercial identification)
Compliant with : CEN/TS 16794-1:2017
Operational temp. range : Class I (-10°C to +50°C)
ISO 14443 antenna class : Class 1
Protocol supported : Type A

Dear Customer,

The Certification Body has received a request, submitted by SELP SAS, your company, for the Certification of the PICC product SELP MIFARE DESFIRE EV3 (IC: MF3Dx3 4K 17pF; Software: DESFIRE EV3 OS Version 03; Application type: MIFARE; Antenna: PRELAM HF 6x7 PVC; Card body: PVC; Contactless card), hereafter referred to as the Product and identified above as "SELP MIFARE DESFIRE EV3".

In connection with your request, we have received your Implementation Conformance Statement (ICS), referred to as PAY.SEL.PICC.CEN16794.2017.2024-001 dated 08/03/2024 and we have assessed your Test Reports (ref. IC.E.RE.2402.003_v1.1 (Analog) IC.E.RE.2402.004_v1.1 (Digital)), which were generated by ICUBE TESTING CENTER, following the Test Plan "CEN/TS 16794-2:2017".

Based on these elements, as indicated in PayCert's Certification Report (ref. CER/EVR/PIC/2024-054 v1.0.0) the Certification Body has found reasonable evidence that the submitted samples of the Product complies to the CEN/TS 16794-1:2017.

The Certification Body hereby grants the Product Certification of compliance with the requirements stated by the CEN/TS 16794-1:2017 standard and will include your Product in the certified products list, published on website (<http://cna-paycert-certification.com>).



PayCert
48 rue Montmartre
75002 Paris
France

Please note that the present Certification is subject to the following terms and conditions as listed hereafter :

i) The present Certification is granted on the basis of the Smart Ticketing Alliance Certification Policy and therefore is valid as of today and will expire on the 28 May 2031.

ii) If the Product is changed, SELP SAS must notify the Certification Body of this fact in writing. Any change in the Product that may generate a different behaviour with respect to the CEN/TS 16794-1:2017 standard or a difference in the Product Implementation Conformance Statement will be considered a major modification subject to a new evaluation in order to maintain the present Certification.

iii) The present Certification granted to SELP SAS for the above referenced Product is non-transferable to any other vendor.

The Certification Body has the right to terminate or revoke the Certification should any of the aforementioned terms and conditions be not respected.

Name: Laurence MASSON

Title: Chief Operating Officer



Accréditation n°5-0673
Portée disponible sur
www.cofrac.fr



PayCert
48 rue Montmartre
75002 Paris
France

a. PICC Product Description

[PICC1] Administrative data

[PICC1.1] (*) Brand name: MIFARE DESFIRE EV3

[PICC1.2] (*) Trade name: SELP MIFARE DESFIRE EV3

[PICC1.3a] (*) Hardware version: MF3Dx3

[PICC1.3b] (*) Software version: Version 03

[PICC1.4] (*) PICC features ISO/IEC 7816 contact interface (dual): Yes No

[PICC1.5] (*) IC manufacturer: NXP

[PICC1.6] (*) IC reference / size: MF3Dx3 4K 17pF

[PICC1.9] (*) Type of card body structure: PVC

The PICC is based on a STA certified PICC (*): Yes No

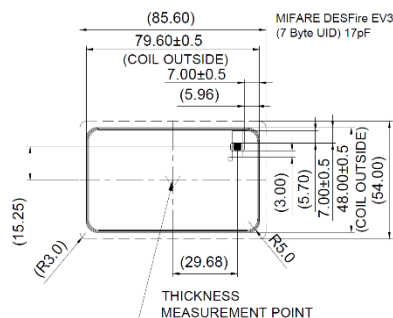
If yes STA PICC certificate number (*):

If yes rationale to justify the delta-certification (*):

b. PICC General Technical Characteristics

[PICC2] General technical characteristics

[PICC2.2] (*) Reference of PICC Zero Point (target ID-marked on sample or photo or diagram):



Antenna diagram for MIFARE Desfire EV3 – PICC position reference to antenna edge

[PICC2.3] (*) Operational temperature range supported:

- Class A (Ambient)
 Class I (-10 °C to + 50 °C)

[PICC2.4] (*) Antenna class according to ISO/IEC 14443:

- Unclassified "Class 1" "Class 2" "Class 3"



PayCert
48 rue Montmartre
75002 Paris
France

c. PICC Supported Options

[PICC3] Protocol characteristics

[PICC3.1] (*) Supported communication signal interface(s) and protocol(s): Type A Type B
Other: [Click here to enter text.](#)

[PICC4] Type A (where applicable)

[PICC4.1] (*) PCD -> PICC bit rates supported: fc/128 (~106 kbit/s)
Other: [212 kbit/s, 424 kbit/s, 848 kbit/s](#)

[PICC4.2] (*) PICC -> PCD bit rates supported: fc/128 (~106 kbit/s)
Other: [212 kbit/s, 424 kbit/s, 848 kbit/s](#)

[PICC4.3] (*) Only symmetrical bit rates supported: Yes No

[PICC4.5] (*) UID value: Fixed number Random number

[PICC4.11] (*) S(PARAMETERS) support: Yes No

[PICC5] Type B (where applicable)

[PICC5.1] (*) PCD -> PICC bit rates supported: fc/128 (~106 kbit/s)
Other: [Click here to enter text.](#)

[PICC5.2] (*) PICC -> PCD bit rates supported: fc/128 (~106 kbit/s)
Other: [Click here to enter text.](#)

[PICC5.3] (*) Only symmetrical bit rates supported: Yes No

[PICC5.4] (*) PUPI value: Fixed number Random number

[PICC5.9] (*) Extended ATQB support: Yes No
If yes, SFGI: [Click here to enter text.](#)

[PICC5.10] (*) S(PARAMETERS) support: Yes No

[PICC5.11] (*) All AFIs are supported: Yes No
If not, indicate all supported AFI(s): [Click here to enter text.](#)

[PICC5.12] (*) REQW/WUPB with N > 1 support: Yes No